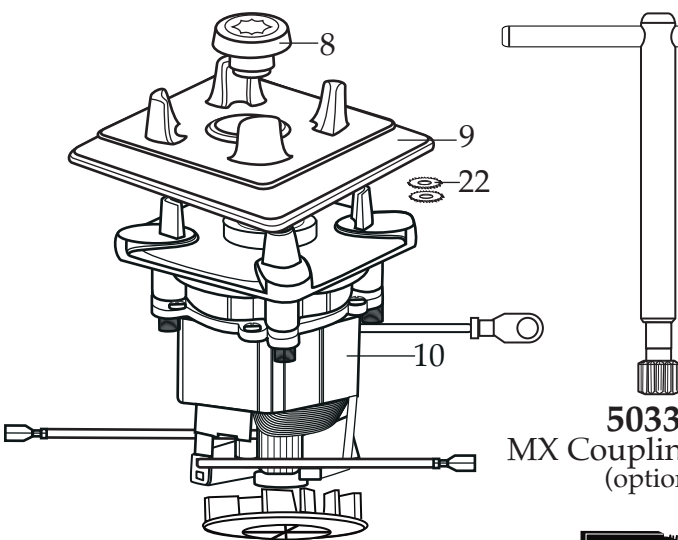


WARING COMMERCIAL

Europe Xtreme Blender with
4 Reprogrammable Beverage Stations
and a 64 oz. Stackable Raptor Container

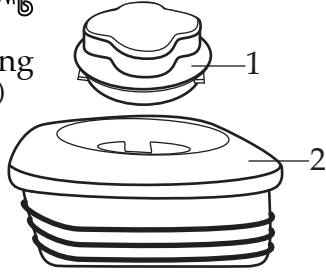
MX1300XTXEE MX1500TXSEE

with Sound Enclosure

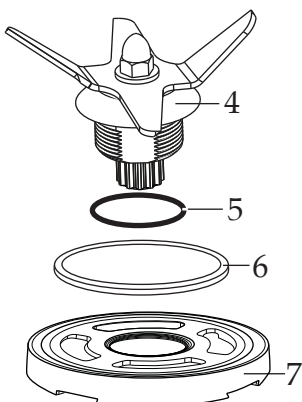
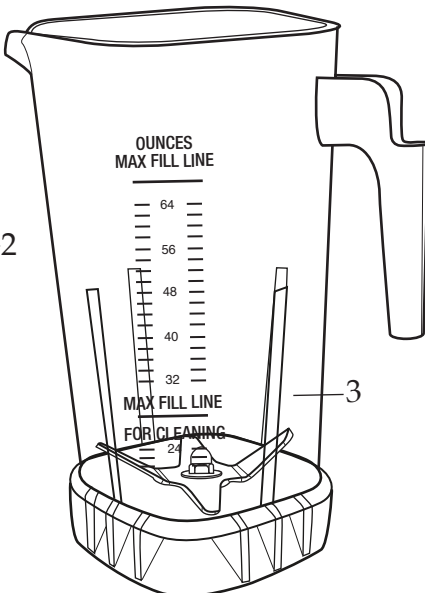


503351
MX Coupling Wrench
(optional)

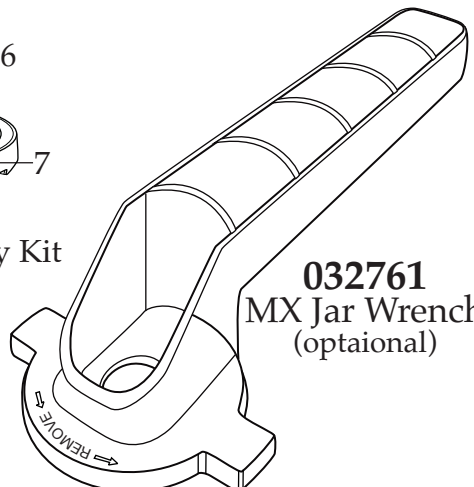
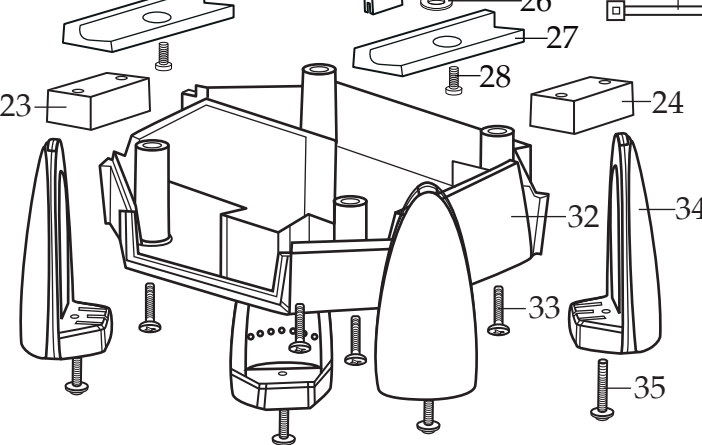
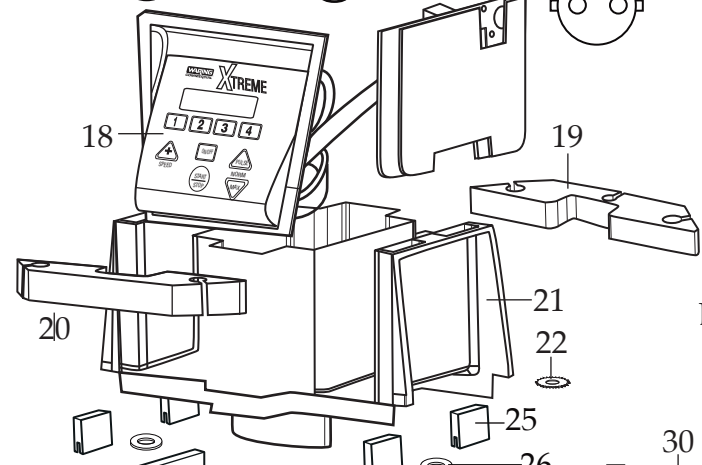
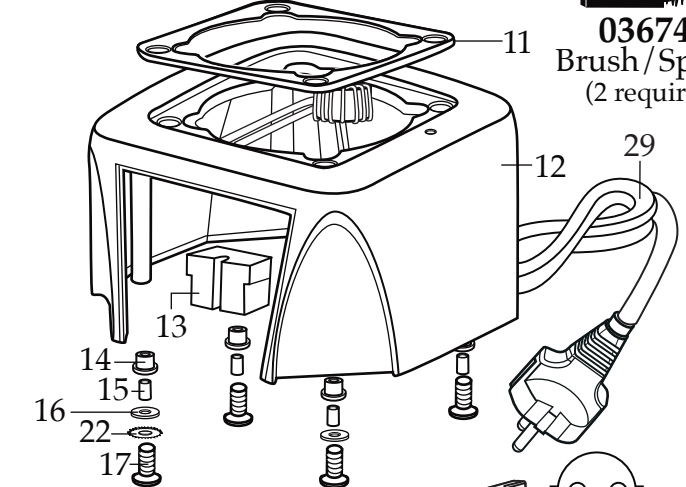
036743
Brush/Spring
(2 required)



032322
2 Piece Lid



030889
Blending Assembly Kit



032761
MX Jar Wrench
(optional)



Date Code Location
YY|MM|DD
year year|month month|day day

Catalog
 MX1300XTXEE
 MX1500XTXSEE

Model
 MX1300XT11CE
 MX1500XT12CE



Illustration#	Part#	Description
1	028769-E	Eastman Jar Lid Cover <i>(changed after 10/8/2010)</i>
2	028768	Jar Lid
3	503326	64 oz Stackable Container ONLY
	503398	64 oz Stackable Container with Blending Assembly <i>(on units after 2/25/2011)</i>
	503326	64 oz Stackable Container ONLY
	503350	64 oz Stackable Container with Blending Assembly
4	503397	Blade Assembly <i>(changed after 2/25/2011)</i>
5	024271	Bearing Holder O Ring
6	024268	Rubber Nut Gasket
7	029631	Bearing Holder Nut
8	503601	Drive Coupling <i>(on units after 1/7/2021)</i>
	028538	Drive Coupling
9	026442	Jar Pad
10	035399	Leili Motor with Sensor <i>(on units after 8/25/2017)</i>
	028824	ECM Motor with Sensor
11	026437	Dampening Plate Gasket
12	503382-E-67	MX Housings with Ferrite Core & Cord <i>(on units after 8/25/2017)</i>
	503382-E	MX Housings with Ferrite Core & Cord <i>(on units after 2/1/2013)</i>
13	028541	Motor Foam (2 required)
14	026439	Dampening Plate Bushing (4 required)
15	026453	Dampening Plate Sleeve (4 required)
16	026459	Washer (2 required)
17	028929	Sems (4 required)
18	035710	Control Panel with Interlock <i>(changed after 3/27/2018)</i>
	029816	Soft Start Control Panel (use 035710)
19	028248	Top Housing Foam Rear Baffle
20	028249	Top Housing Foam Front Baffle
21		<i>Motor Housing is Included with Illustration# 12</i>
22	002943	Washer (3 required)
23	028247	Bottom Housing Foam Baffle
24	028542	Foam Baffle
25	034900	PCB Cushion (4 required <i>on units after 7/18/2019</i>)
26	037232	Neoprene Washer (2 required <i>on units after 7/18/2019</i>)
27	037007	PCB Mounting Bracket(2 required <i>on units after 7/18/2019</i>)
28	013768	Screw (2 required <i>on units after 7/18/2019</i>)
29		<i>Cord is Included with Illustration# 12</i>
30	013731	Cable Tie (3 required)

Catalog	Model
MX1300XTXEE	MX1300XT11CE
MX1500XTXSEE	MX1500XT12CE

Waring Factory Service Center
314 Ella T. Grasso Ave.
Torrington, CT 06790
Tele. 1-800-269-6640

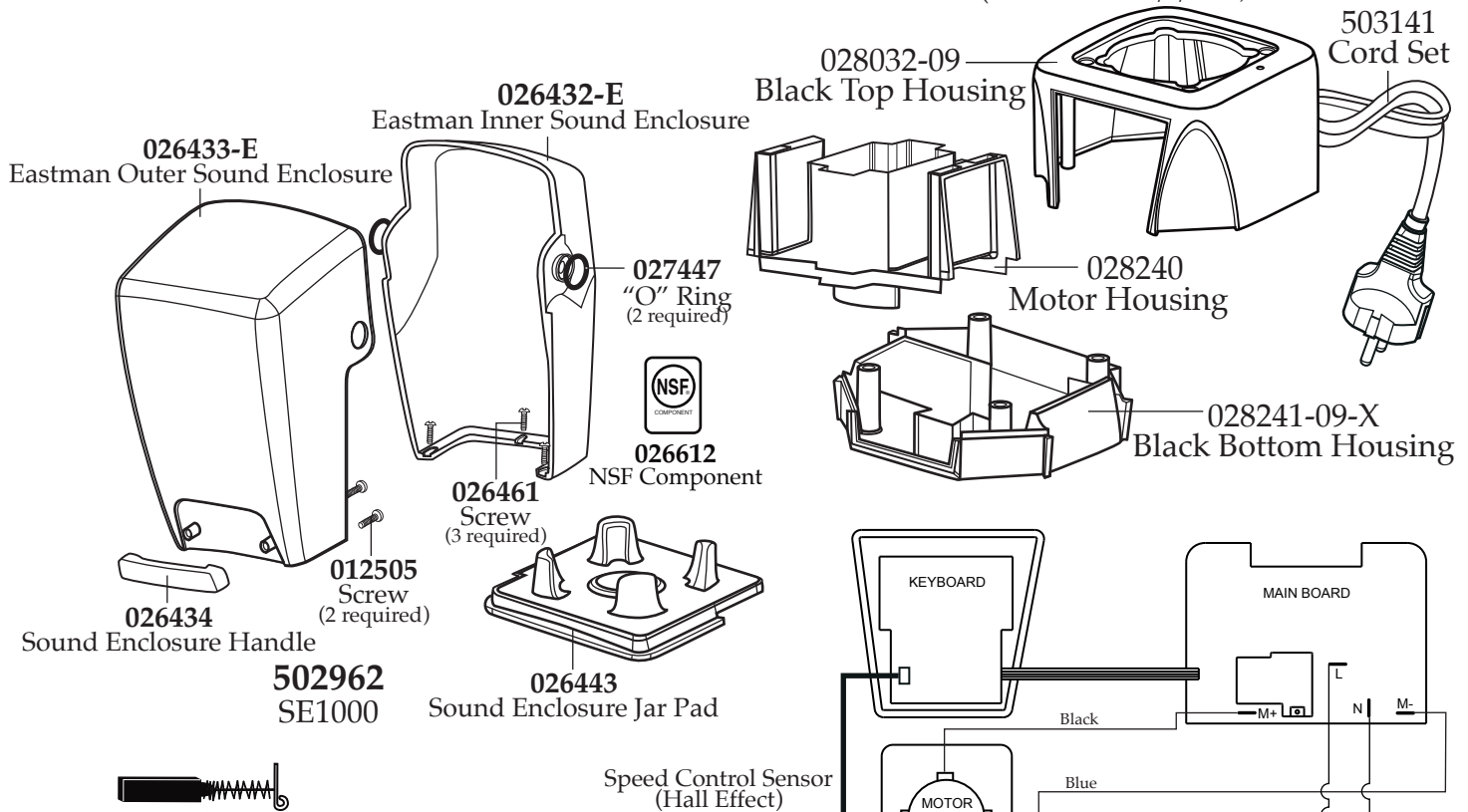
COMMERCIAL
Fax 860-496-9017
www.waringcommercialproducts.com

Illustration#	Part#	Description
----------------------	--------------	--------------------

31	007556	Strain Relief <i>(on units after 6/22/2018)</i>
	035384	Strain Relief <i>(on units after 3/31/2016)</i>
	007556	Strain Relief
32		<i>Bottom Housing is Included with Illustration# 12</i>
33	012505	Screw (4 required)
34	026430	Corner Post (4 required)
35	028928	Sems (4 required)

Parts No Longer Used

(Last used on 2/1/2013)



Wiring Diagram

(on units after 2/1/2013)

